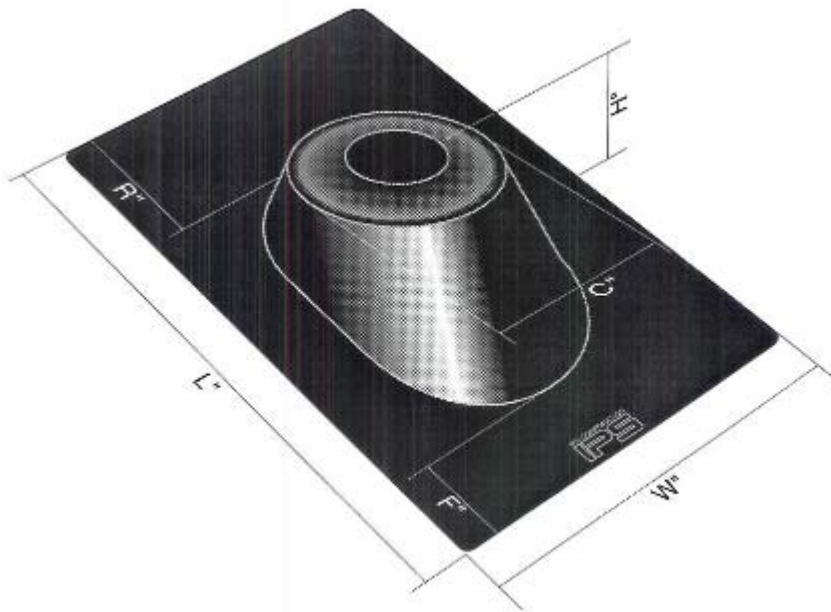


## SPECIFICATION

Furnish and install hard plastic base roof vent flashing with elastomer collar. Unit shall be Water-Tite item number checked below as manufactured by IPS Corporation, as per corresponding dimensional characteristics, or equivalent. **(Do not use Petroleum based mastics, sealing compounds, or paints on collar portion of all flashings, on all hardbase, flexible, or rain collars.)**



✓ PROD. CODE

81750
81751
81755
81756
81760
81765

Roof Vent Flashing Dimensional Characteristics

Model	Vent Size	Dim. W	Dim. L	Dim. R	Dim. F	Dim. C	Dim. H
HB 1	1 <sup>1</sup> / <sub>4</sub> " - 1 <sup>1</sup> / <sub>2</sub> "	9 <sup>1</sup> / <sub>4</sub> "	13"	3 <sup>3</sup> / <sub>8</sub> "	2 <sup>3</sup> / <sub>8</sub> "	4"	2 <sup>1</sup> / <sub>4</sub> "
HB 1LB	1 <sup>1</sup> / <sub>4</sub> " - 1 <sup>1</sup> / <sub>2</sub> "	11 <sup>1</sup> / <sub>8</sub> "	15"	3 <sup>1</sup> / <sub>2</sub> "	2 <sup>1</sup> / <sub>2</sub> "	5 <sup>3</sup> / <sub>10</sub> "	2 <sup>7</sup> / <sub>8</sub> "
HB 2	2"	9 <sup>1</sup> / <sub>4</sub> "	13"	3 <sup>3</sup> / <sub>8</sub> "	2 <sup>3</sup> / <sub>8</sub> "	4"	2 <sup>1</sup> / <sub>4</sub> "
HB 2LB	2"	11 <sup>1</sup> / <sub>8</sub> "	15"	3 <sup>1</sup> / <sub>2</sub> "	2 <sup>1</sup> / <sub>2</sub> "	5 <sup>3</sup> / <sub>10</sub> "	2 <sup>7</sup> / <sub>8</sub> "
HB 3	3"	11 <sup>1</sup> / <sub>8</sub> "	15"	3 <sup>1</sup> / <sub>2</sub> "	2 <sup>1</sup> / <sub>2</sub> "	5 <sup>3</sup> / <sub>10</sub> "	2 <sup>7</sup> / <sub>8</sub> "
HB 4	4"	12"	15 <sup>1</sup> / <sub>2</sub> "	3 <sup>3</sup> / <sub>8</sub> "	2 <sup>1</sup> / <sub>8</sub> "	6 <sup>1</sup> / <sub>4</sub> "	2 <sup>9</sup> / <sub>10</sub> "