

Mini Split Stands

Adjustable design: 11" - 25" width & 7" - 17" depth

Fits well on 24 x 36 condenser pads (# 24363)

440 lbs maximum weight capacity

Suitable for many brands of mini splits/heat pumps

Heavy-duty steel with a powder coat finish

Reduces vibration and noise

Adjustable height rubber feet

All hardware required for stand assembly is included



Convenient Packaging!



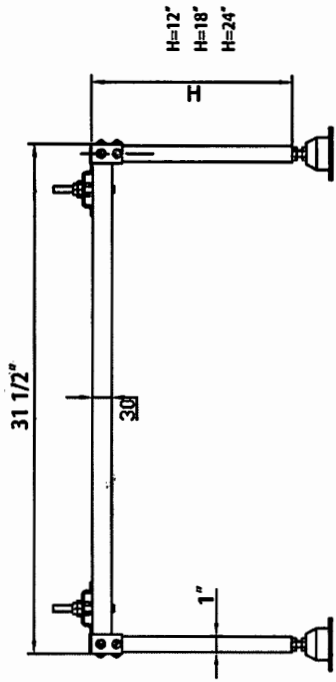
Item # 1201 - 12" Height Stand: 31-1/2" x 19-5/8"

Item # 1801 - 18" Height Stand: 31-1/2" x 19-5/8"

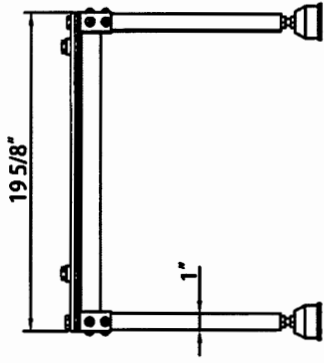
Item # 2401 - 24" Height Stand: 31-1/2" x 19-5/8"

BRAMEC[®] --- Mini Split Stand

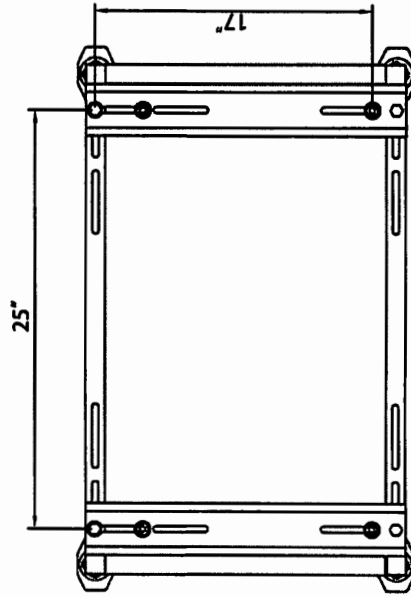
Installation Sketch Map



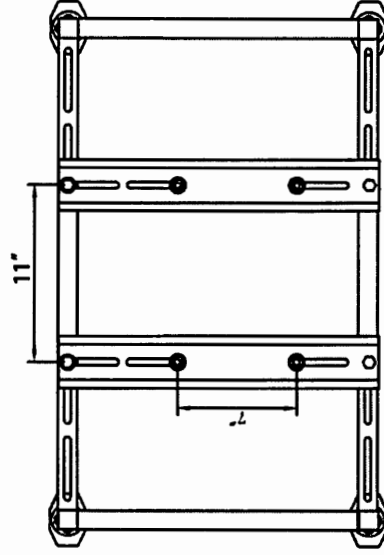
Side View



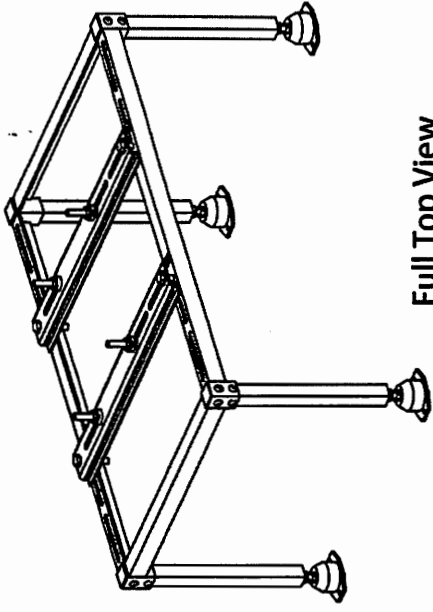
End View



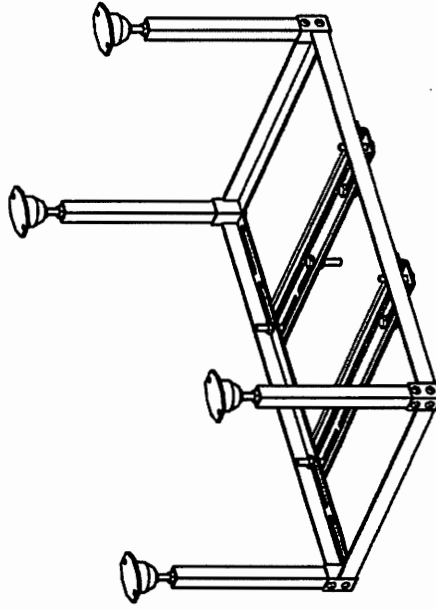
Top View 1



Top View 2



Full Top View



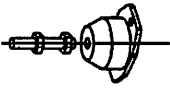
Full Bottom View

IMPORTANT NOTE: THE INSTALLER IS RESPONSIBLE FOR TETHERING AND BOLTING UNIT TO WITHSTAND WIND AND/OR SEISMIC LOADS

BRAMEC[®] --- Mini Split Stand

Assembly Instructions

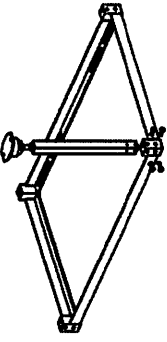
Step 1: Use 2 Hex Nut (Part No. 2) and one Lead Screw (Part No. 3) Connect to the Rubber Feet (Part No. 1)



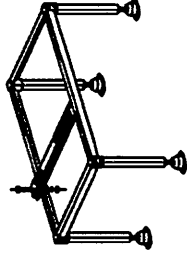
Step 2: Connect it to Square Legs (Part No. 4)



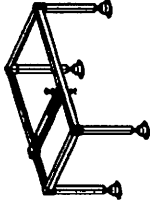
Step 3: Use Screw (Part No. 11) and Elastomer Gasket (Part No. 12) fix it on the Metal Frame (Part No. 5)



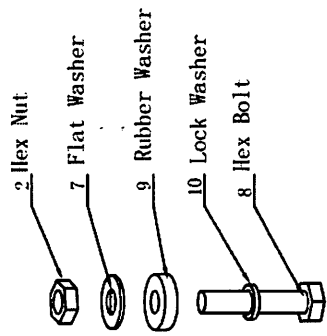
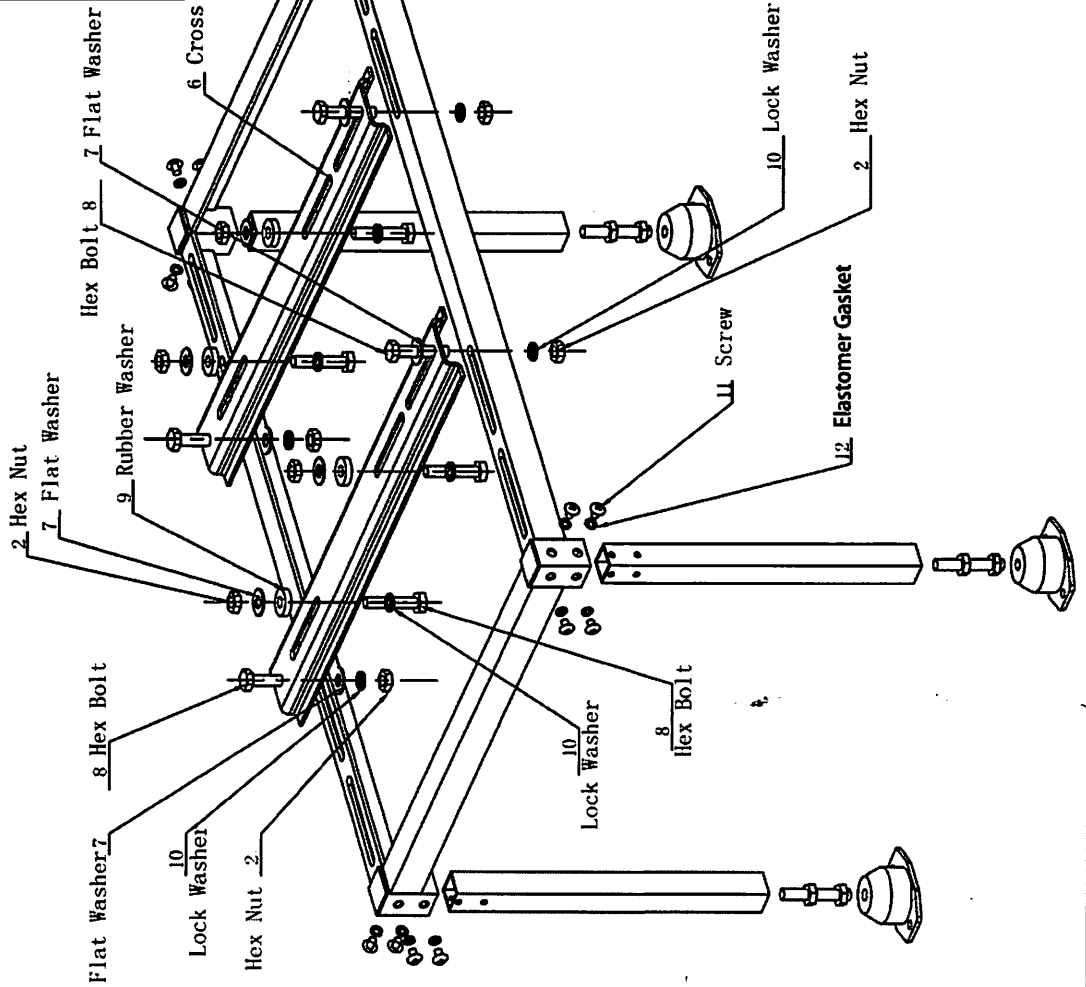
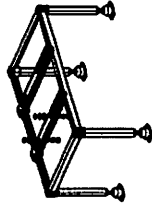
Step 4: Use Hex Bolt (Part No. 8) Hex Bolt Washer (Part No. 7) and Lock Washer (Part No. 10) fix the Cross Arm on one side of the Metal Frame (Part No. 5)



Step 5: Use Hex Bolt (Part No. 8) Hex Nut (Part No. 2) Flat Washer (Part No. 7) and Lock Washer (Part No. 10) fix the Cross Arm on other side of the Metal Frame (Part No. 5)



Step 6: Use Hex Bolt (Part No. 8) Hex Nut (Part No. 2) Flat Washer (Item No. 7) Rubber Washer (Part No. 9) and Lock Washer (Part No. 10) across the Cross Arm to fix the equipment



Part No.	Part Name	Description	Quantity
1	Rubber Feet	L 37/32" * 2 3/16" W	4
2	Hex Nut	3/8" - 16	16
3	Lead Screw	3/8" - 16	4
4	Square Leg	1" * 1" * (12" 18" 24")	4
5	Metal Frame	L 31 1/2 * 19 5/8" W	1
6	Cross Arm	L 19 5/8" * 3 19/32" W	2
7	Flat Washer	3/8"	8
8	Hex Bolt	3/8" - 16	8
9	Rubber Washer	Ø 1" * 3/8" H	4
10	Lock Washer	3/8"	8
11	Screw	1/4" - 20	16
12	Elastomer Gasket	Ø 3/8" * 0.04" H	16