

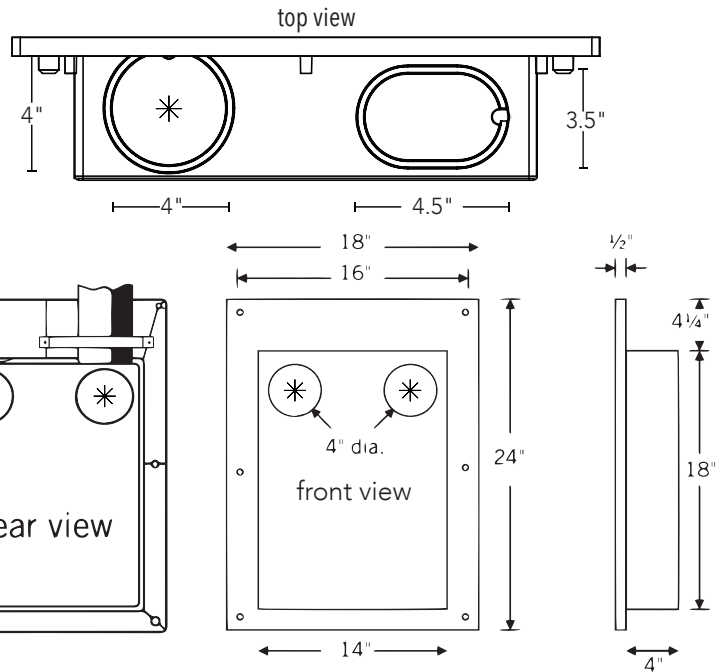


**Builder's Best, Inc.**  
 201 Broiles Drive  
 Jacksonville, TX 75766  
 903-586-8283  
 sales@buildersbest.com  
 BuildersBest.com

# DRYER OUTLET BOX

## PRODUCT SPECIFICATIONS

- One Self trimming unit: 18" wide by 24" high
- Fits all 16" centers 2x4's and 2x6's;
- Six patented rip-tab knockouts in most common positions
  - Four true 4" diameter knockouts (two rear, two right upper and lower)
  - Two 3" x 4.5" oval knockouts (left upper and lower)*Oval knockouts are provided for non-standard connections to existing venting (i.e. squashed duct), or for a round to oval adapter.*
- 4 starburst knockouts for gas connections and venting
- 6 pre-drilled mounting holes
- Plastic meets UL® standard 94 HB tests for flammability
- Six screws included



Round to oval adapter



Periscope section



Rectangle to round adapter

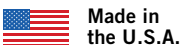
## DISPLAY SAMPLE

Box with adhesive label



## LABELS

US Patent 10,125,899



## PART NUMBERS

Description	Accessories	Each #	Qty	Case #	Package
Single Box	n/a	10697	10	110697	Bulk
Single Box	n/a	10698	3	110698	Ind. Box
Single Box	n/a	10696	3	110696	Display Box
Single Box	one round to oval adapter	11563	3	111563	Display Box
Kit for 8' Wall	box, periscope, 2 transitions	11000	5	111000	Ind. Box
Kit for 10' wall	box, periscope, 2 transitions	11001	5	111001	Ind. Box
Adapter	aluminum rectangle to round	10518	12	110518	Bulk
Adapter	aluminum round to oval	11396	16	111396	Bulk

## RECOMMENDATIONS

- Proper maximum operating temperature of a dryer is approximately 180°
- The UL® standard 94HB tests at 200°. Melting point is 350-380°

## WARRANTY

COMPLETE WARRANTY STATEMENT AT [HTTPS://WWW.BUILDERSBEST.COM](https://www.buildersbest.com)

Dryer Outlet Box spec sheet V6 6/30/23