

# BRAMEC CONCENTRIC VENT KITS

## Submittal Information

Item Nos.	20139, 30298
Document No.	20139
Date	2024-04-17
Revision	01

## Warning

- Do not use the Concentric Vent kit for anything other than a Category IV appliance. Failure to follow this warning could result in fire, personal injury or death.
- Do not operate the furnace until the installation and assembly of the Concentric Vent and all piping is completed. Failure to follow this warning could result in product damage or improper operation, personal injury or death.
- The intake pipe should freeze shut during cold weather operation if the venting system is not installed.

## Properties

Material: Polyvinyl Chloride (PVC)  
 Finish: Plain White  
 Standard: ASTM-D1785, UL-1738.

NOTE: Read the entire box instructions before starting the installation.

Each concentric vent kit contains the following items:

- (1) Combustion Air Inlet Cap
- (1) Air Inlet Pipe
- (1) Vent Pipe
- (1) Intake/Vent Concentric Fitting
- (1) Installation Instructions on box

## Features

- Cut only one hole instead of traditionally cutting two holes through roof or side wall for exhaust and intake pipes to complete installation.
- The concentric design makes intake fresh air cut off exhausting smoke. Preferred vertical roof termination which is less susceptible to damage, reduces the chance of intaking contaminants, and has less visible vent vapors. Horizontal side wall termination installation. Bird screens are included for necessary applications.
- Concentric Vent Kits reduce the allowable intake/vent piping length please refer to the basic furnace installation instructions.
- Gas Vent Type - BH, Class II - 65°C/149°F Max

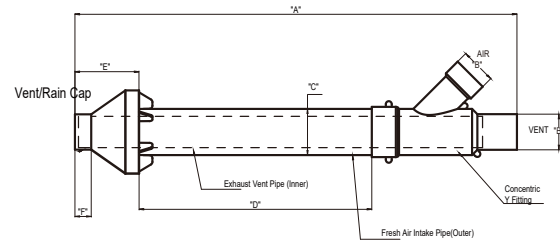
## Installation Tips

- Pipe and fittings are required to complete installation (user supplied). The combustion air and vent pipe fittings must conform to ANSI and ASTM standards D1785, F891, D2665, D2241, D2661, or F628. Pipe cement and primer must conform to ASTM standards D2564 or D2235.
- In Canada, construct all combustion air and vent pipes for this unit of CSA or ULC certified Schedule 40 PVC, PVC-DWV, or ABS-DWV pipe and pipe cement. Concentric Vent Kits meet UL-1738 or ULC-S636 requirements.
- For specific operation, please refer to the instruction information on the box.

NOTE: Please refer to furnace installation instructions to obtain pipe sizing information. Some local code inspectors are not familiar with concentric vents. Be sure to check local code requirements for acceptability prior to installation.



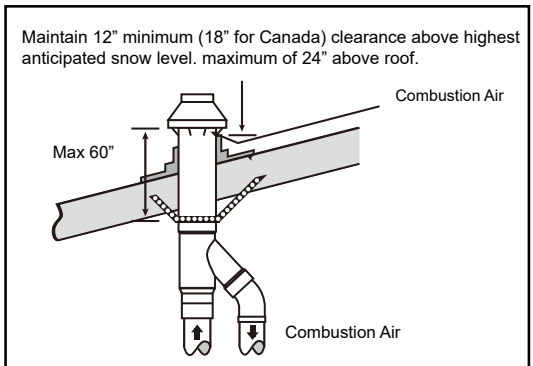
Concentric Vent Kit Dimensions



Part No.	A	B Nominal PVC Pipe Size	C	D	E	F
20139	33" (840mm)	2"	3.5" (89mm)	17.5" (445mm)	4.85" (123mm)	1.2" (30.5mm)
30298	39" (990mm)	3"	4.5" (114mm)	22" (559mm)	5.5" (140mm)	1.6" (41mm)

NOTE: Read the entire box instructions before starting the installation.

Typical Roof Install (Fig. 1)



Sidewall Termination Details (Fig. 2)

