

# A/C Disconnects



## Metal & Plastic A/C Disconnects

### 1.General

An air conditioning disconnect is a disconnect located between a load center (distribution panel) and air conditioner.

Air Conditioning Disconnects product line provides an installer or repair personnel with a visible disconnecting means when performing maintenance. Air Conditioning Disconnects are also known as disconnects, pullouts or air Non-fused pullout devices conditioning switches. Provide personnel with a visible ON-OFF disconnecting means. While fused pullout units also perform this function, they also provide an additional level of devices are of a pullout design, where the user physically removes or “pulls out” a tab to break the electrical connection.

- UL Certificates: E255965;
- Standard: UL 1429; CSA C22.2 NO. 29-15;
- RoHS Compliance;

Description	
Item Numbers	Plastic: 16005, 16006, & 16007 Metal: 18019, 18020, & 18021
Full Load Amps	60A: 60A; 30A: 30A

## 2.Specification

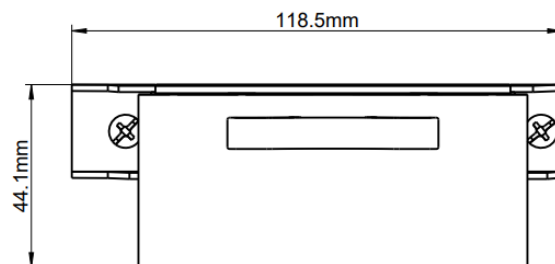
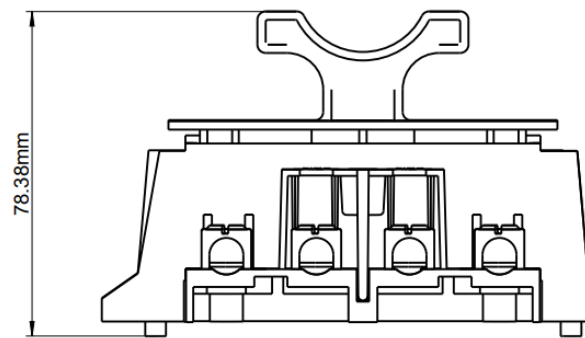
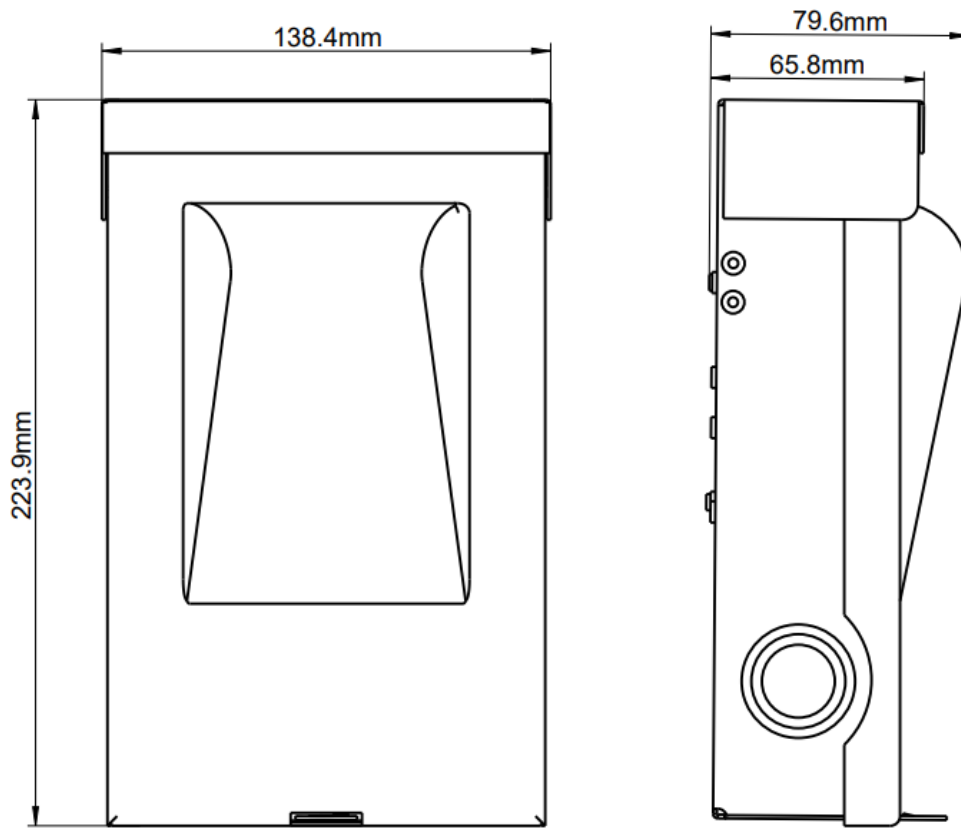
Cat. No.	Main Ampere Rating	HP Rating		Wire Size Range Cu/Al 60°C or 75 °C
		120V	240V	
16006 & 18020	30AMP, 240VAC 1 PHASE, 3 WIRE	STD. 0.5 MAX. 2	STD. 1.5 MAX. 3	#14-3
16007 & 18021	60AMP, 240VAC 1 PHASE, 3 WIRE	STD. 1.5 MAX. 3	STD. 3 MAX. 10	#14-3
16005 & 18019	60AMP, 240VAC 1 PHASE, 3 WIRE	-	STD. 3 MAX. 10	#14-3

Cat. No.	Photos		
18019, 18020, & 18021			
16005, 16006, & 16007			

## A/C Disconnects

### 3. Metal Disconnect Dimensions

18019, 18020, & 18021



4. Plastic Disconnect Dimensions

16005, 16006, & 16007

