



Builder's Best, Inc.
 201 Broiles Drive
 Jacksonville, TX 75766
 888-368-7233
 fax: 800-259-8368
 www.BuilderBest.com

MINI LOUVER FRESH AIR INTAKE FLUSH WITH SCREEN

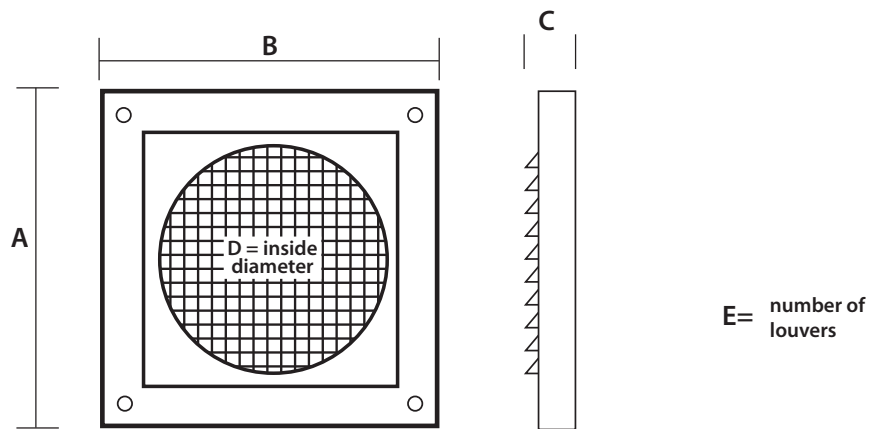
PRODUCT SPECIFICATIONS

- Polypropylene molded plastic
- Fixed mini louvers
- 4 mounting holes
- Fully assembled
- ¼" × ¼" molded screen



PART NUMBERS

Diameter	Color	Part #	Qty	Package
5"	White	110897	12	Bulk
	Brown	111006	12	Bulk
6"	White	110901	12	Bulk
	Brown	111010	12	Bulk
7"	White	110905	12	Bulk
	Brown	111014	12	Bulk
8"	White	110909	12	Bulk
	Brown	111018	12	Bulk



Diameter	A	B	C	D	E	Louvre Grid
5"	7.0	7.3	1.0	5	8	½" × ½"
6"	8.2	8.2	1.0	6	10	½" × ½"
7"	8.8	8.6	1.0	7	13	½" × ½"
8"	10.0	9.7	1.0	8	14	½" × ½"

LABELS



WARRANTY

Manufacturer assumes no responsibility for failure due to improper installation. All specifications and designs are subject to change without notice and without incurring liability.

WARRANTY EXCLUSION AND DISCLAIMER Seller specifically excludes, and hereby disclaims any express representation or express warranty of any kind with respect to the goods ordered hereunder. All implied warranties, including without limitation merchantability or fitness for a particular purpose or arising from a course of dealing or usage or trade shall expire and cease 45 days after date of delivery. Seller shall not be liable to buyer or any third party for any special, secondary, incidental, or consequential damages however arising. Nothing in this provision shall invalidate or restrict any right or remedy otherwise available under state or federal law. Materials and specifications subject to change without notice.

Mini Louvre Fresh Air Intake Flush with Screen V2 12/02/14



Builder's Best, Inc.
 201 Broiles Drive
 Jacksonville, TX 75766
 888-368-7233
 fax: 800-259-8368
 www.BuilderBest.com

MINI LOUVER FRESH AIR INTAKE SNAP-ON RING

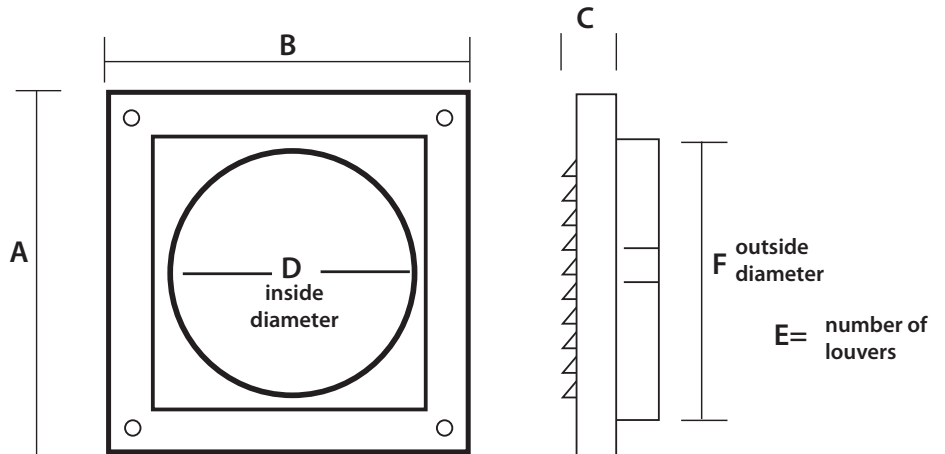


PRODUCT SPECIFICATIONS

- Polypropylene molded plastic
- Molded snap ring for easy connection to pipe
- Fixed mini louvers
- 4 mounting holes
- Fully assembled

PART NUMBERS

Diameter	Color	Part #	Qty	Package
3"	White	110694	12	Bulk
	Brown	110682	12	Bulk
4"	White	110811	12	Bulk
	Brown	110972	12	Bulk
5"	White	110894	12	Bulk
	Brown	111003	12	Bulk
6"	White	110898	12	Bulk
	Brown	111007	12	Bulk
7"	White	110902	12	Bulk
	Brown	111011	12	Bulk
8"	White	110906	12	Bulk
	Brown	111015	12	Bulk



Diameter	A	B	C	D	E	F	Louvre Grid
3"	5.5	5.5	.75	3	10	3.25	¼" × ¼"
4"	5.5	5.5	.75	4	10	4.25	¼" × ¼"
5"	7.0	7.3	1.0	5	8	5.25	½" × ½"
6"	8.2	8.2	1.0	6	10	6.25	½" × ½"
7"	8.8	8.6	1.0	7	13	7.25	½" × ½"
8"	10.0	9.7	1.0	8	14	8.25	½" × ½"

LABELS



WARRANTY

Manufacturer assumes no responsibility for failure due to improper installation. All specifications and designs are subject to change without notice and without incurring liability.

WARRANTY EXCLUSION AND DISCLAIMER Seller specifically excludes, and hereby disclaims any express representation or express warranty of any kind with respect to the goods ordered hereunder. All implied warranties, including without limitation merchantability or fitness for a particular purpose or arising from a course of dealing or usage or trade shall expire and cease 45 days after date of delivery. Seller shall not be liable to buyer or any third party for any special, secondary, incidental, or consequential damages however arising. Nothing in this provision shall invalidate or restrict any right or remedy otherwise available under state or federal law. Materials and specifications subject to change without notice.

Mini Louvre Fresh Air Intake Snap-On ring V2 12/02/14



Builder's Best, Inc.
 201 Broiles Drive
 Jacksonville, TX 75766
 888-368-7233
 fax: 800-259-8368
 www.BuildersBest.com

MINI LOUVER FRESH AIR INTAKE 3" ALUMINUM TAIL

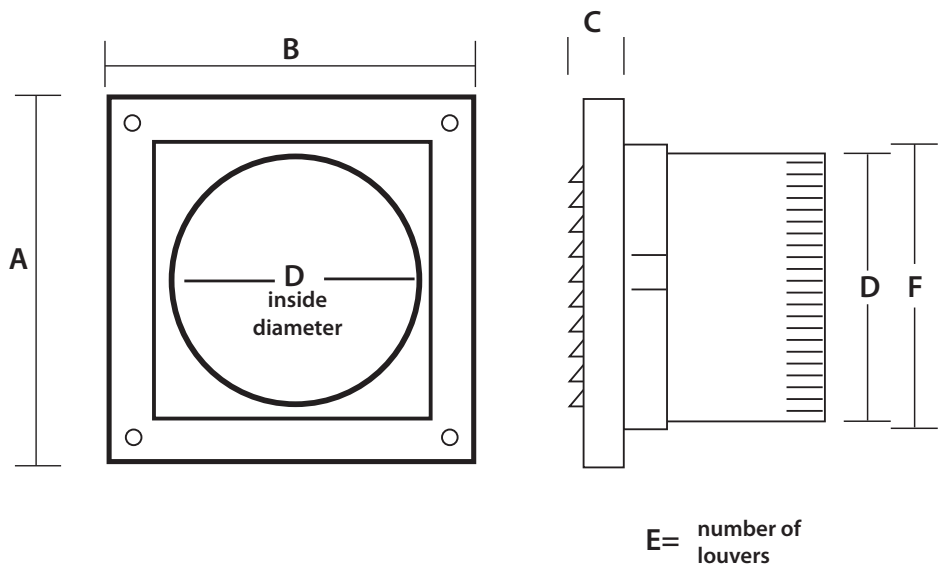


PRODUCT SPECIFICATIONS

- Polypropylene molded plastic
- Molded snap ring connected to 3"aluminum tail with crimped end
- Fixed mini louvers
- 4 mounting holes
- Fully assembled

PART NUMBERS

Diameter	Color	Part #	Qty	Package
3"	White	110695	12	Bulk
	Brown	110681	12	Bulk
4"	White	110812	12	Bulk
	Brown	110519	12	Bulk



Diameter	A	B	C	D	E	F	Louvre Grid
3"	5.6	5.6	.75	3	10	3.25	¼" × ¼"
4"	5.6	5.6	.75	4	10	4.25	¼" × ¼"

LABELS



WARRANTY

Manufacturer assumes no responsibility for failure due to improper installation. All specifications and designs are subject to change without notice and without incurring liability.

WARRANTY EXCLUSION AND DISCLAIMER Seller specifically excludes, and hereby disclaims any express representation or express warranty of any kind with respect to the goods ordered hereunder. All implied warranties, including without limitation merchantability or fitness for a particular purpose or arising from a course of dealing or usage or trade shall expire and cease 45 days after date of delivery. Seller shall not be liable to buyer or any third party for any special, secondary, incidental, or consequential damages however arising. Nothing in this provision shall invalidate or restrict any right or remedy otherwise available under state or federal law. Materials and specifications subject to change without notice.