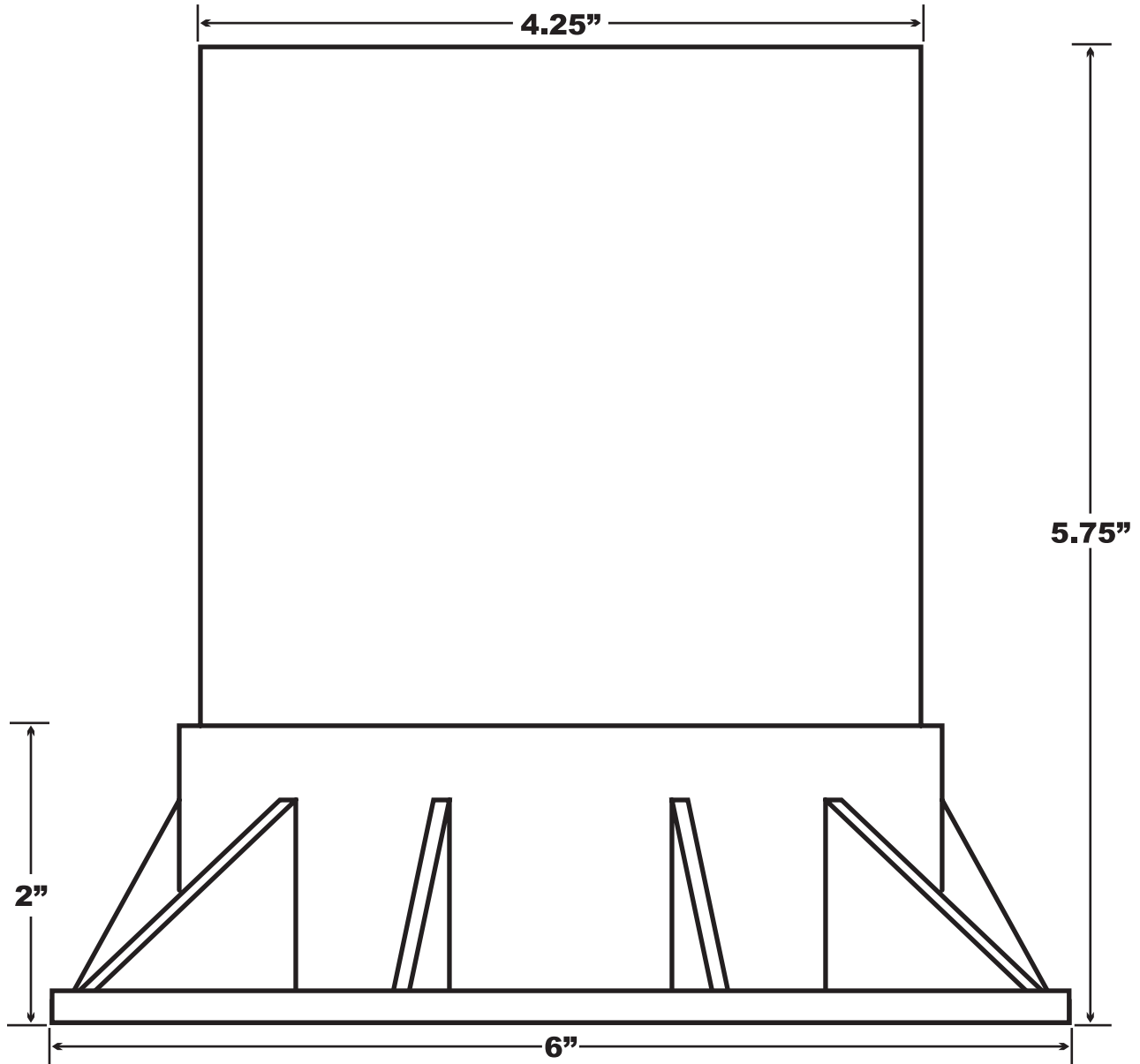


Bramec 6" Pump-Up[®]

Item Number 4008

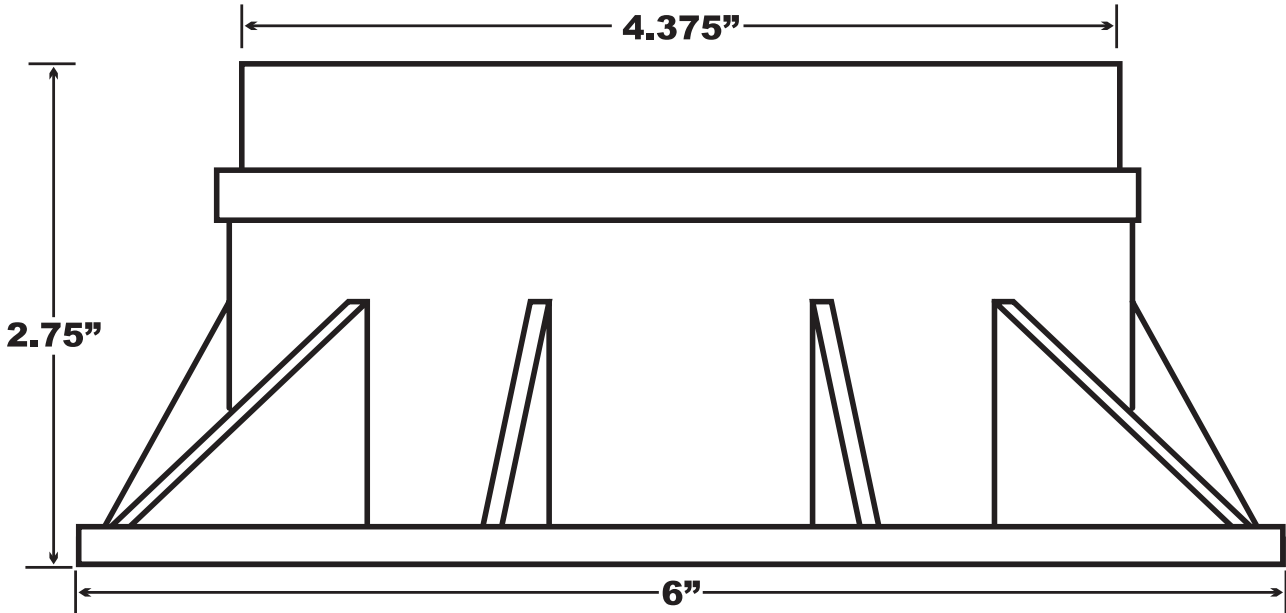


Side View
(All Measurements Are Nominal)

NOTE: Polymeric mastic is included to be applied to the top and bottom of each Bramec Pump-Up[®].

Bramec 3" Pump-Up®

Item Number 4005

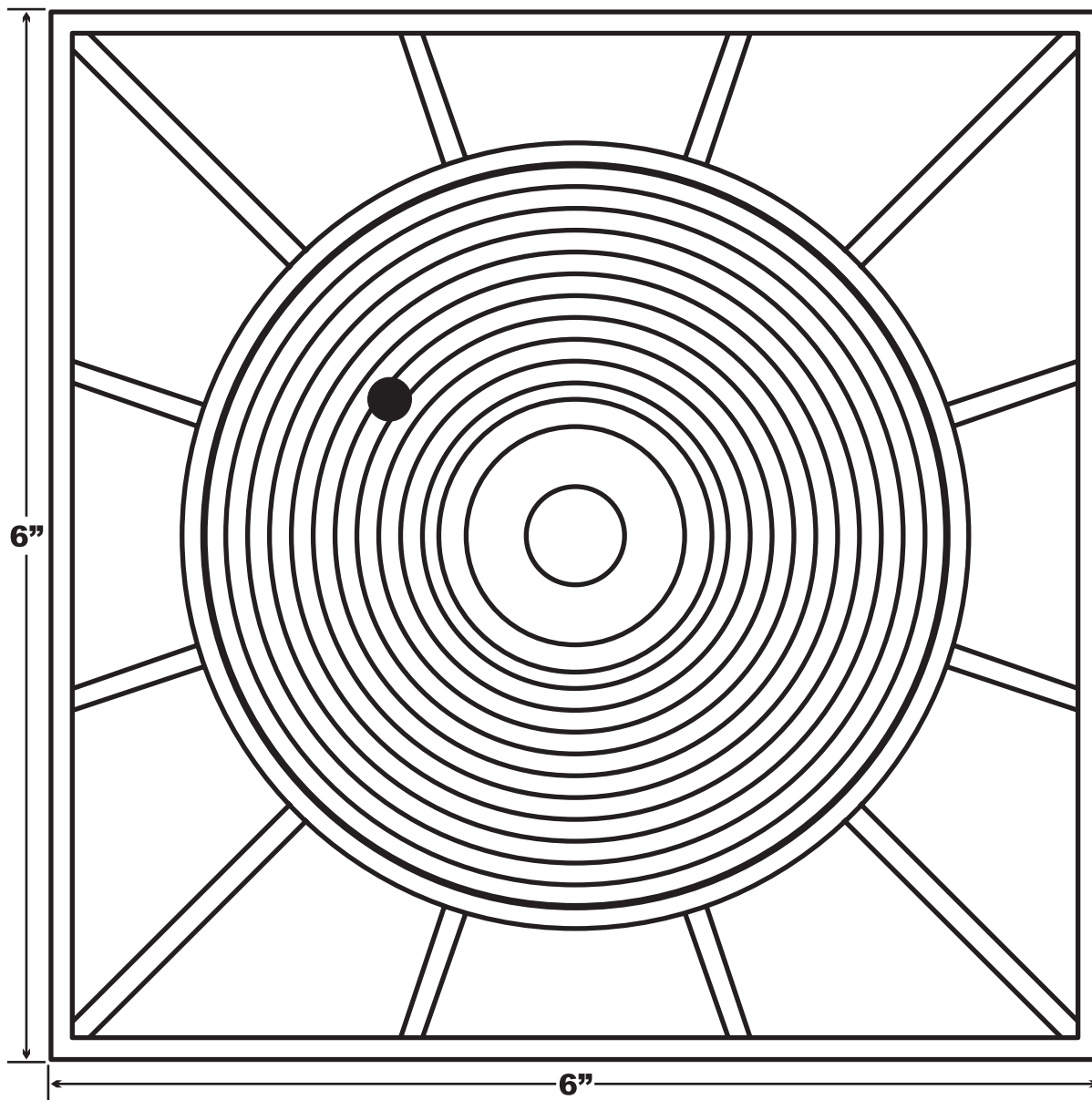


Side View
(All Measurements Are Nominal)

NOTE: Polymeric mastic is included to be applied to the top and bottom of each Bramec Pump-Up®.

Bramec 3" & 6" Pump-Up[®]

Item Numbers 4005 & 4008



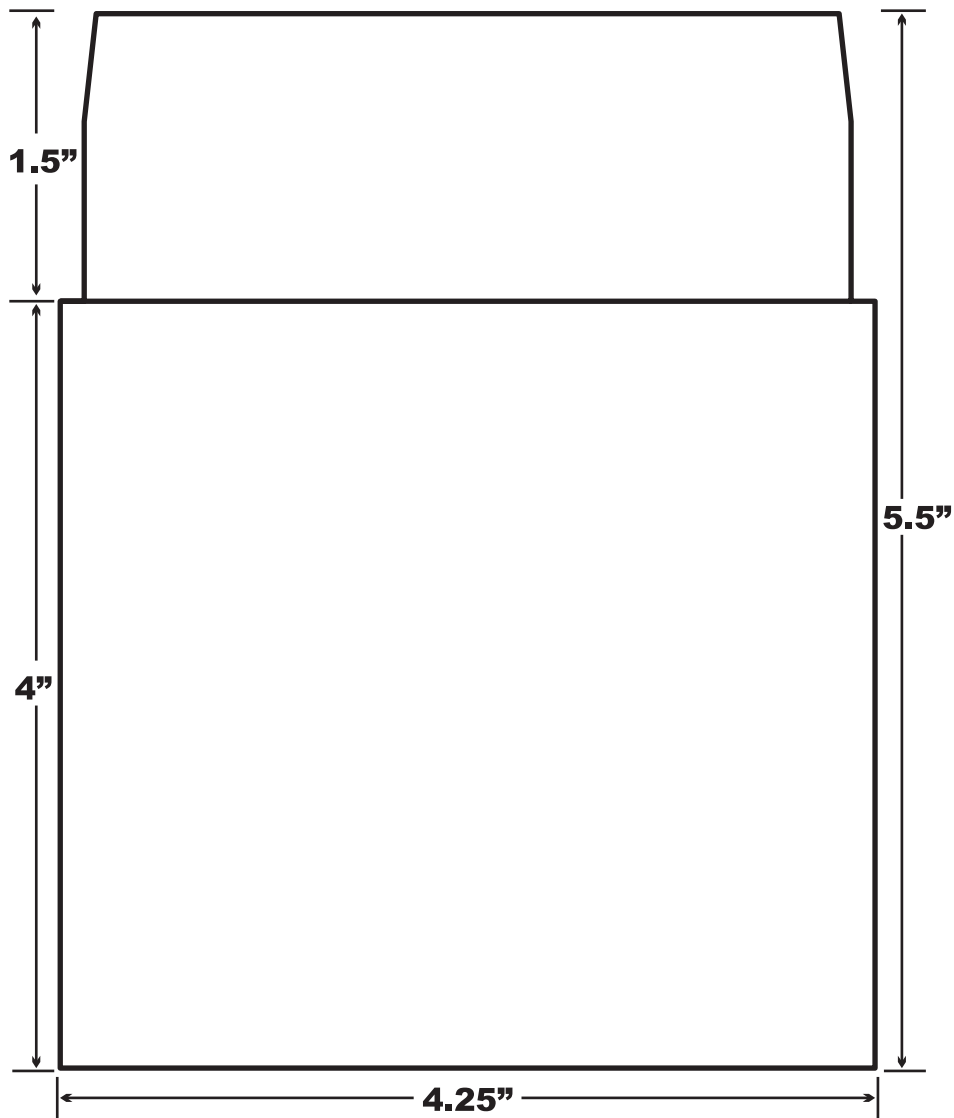
Top View
(All Measurements Are Nominal)

NOTE: Polymeric mastic is included to be applied to the top and bottom of each Bramec Pump-Up[®].

Bramec

4" Pump-Up[®] Extension

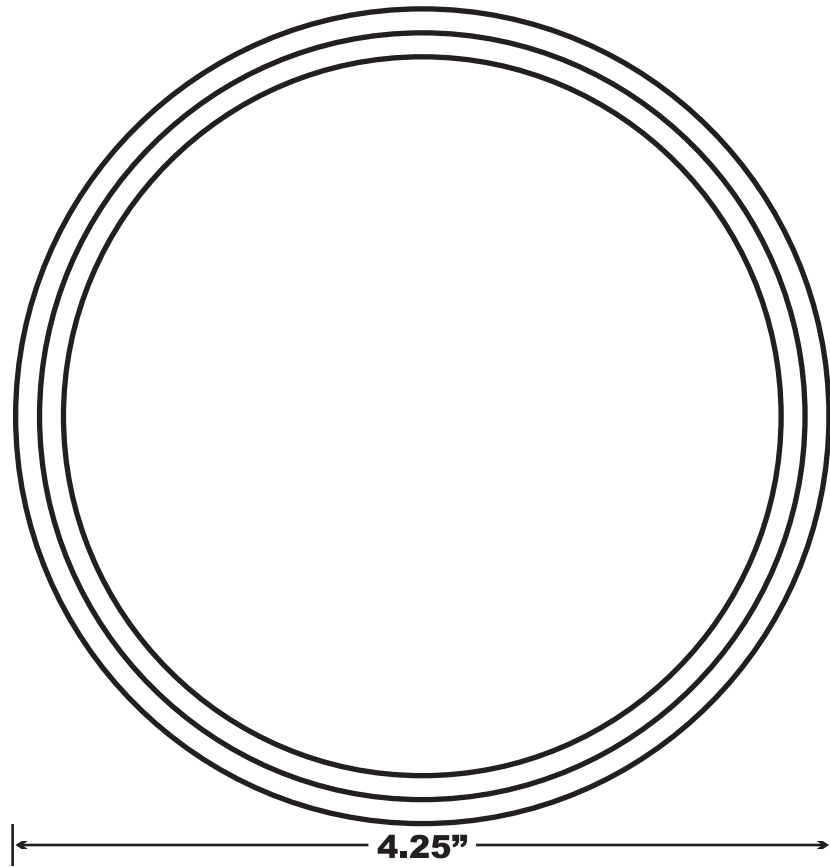
Item Number 4004



Side View

(All Measurements Are Nominal)

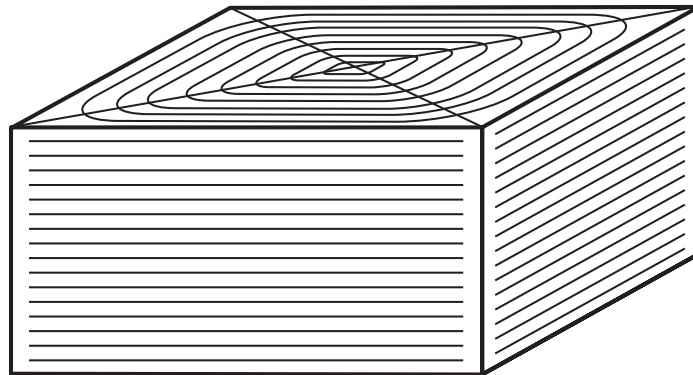
Bramec
4" Pump-Up[®] Extension
Item Number 4004



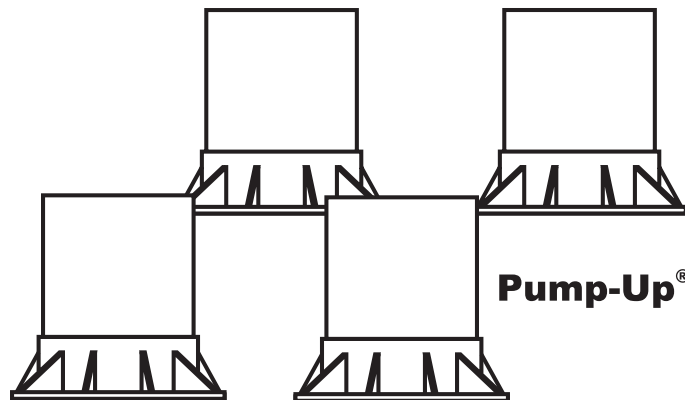
Top View
(All Measurements Are Nominal)

PUMP-UP® DIRECTIONS

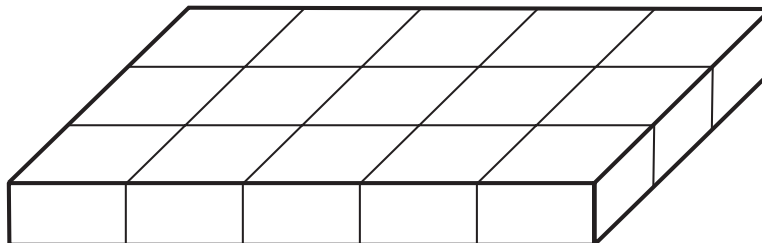
1. Apply mastic included to the top and bottom of each Bramec® Pump-Up®.
2. Release paper from mastic and place one Bramec® Pump-Up® under each corner of condenser unit before placing on condenser base.



A/C Condenser



Pump-Up®



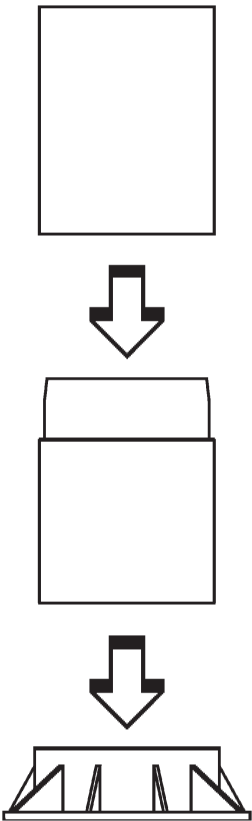
Air-Pad III® Condenser Base

DIRECTIONS

Must be used with Bramec 6" Pump-Ups.

- 1. Remove top of Bramec 6" Pump-Up.**
- 2. Insert extension(s) in base. Up to a maximum of 2 extensions per Pump-Up.**
- 3. Replace Pump-Up top on extension.**
- 4. Release paper from mastic and place one Pump-Up under each corner of unit before placing on pad.**

Maximum of 2 extensions per Pump-Up.



SAFETY DATA SHEET

Date Prepared : 05/19/2015

MSDS No : 4005

INHALATION: No specific treatment is necessary since this material is not in an inhalable form.

SIGNS AND SYMPTOMS OF OVEREXPOSURE

EYES: May cause skin or eye irritation after repeated or prolonged contact.

SKIN: Substance may cause slight skin irritation.

SKIN ABSORPTION: None Expected.

5. FIRE FIGHTING MEASURES

EXTINGUISHING MEDIA: Dry chemical, carbon dioxide or foam. Treat as a petroleum fire.

HAZARDOUS COMBUSTION PRODUCTS: CO, CO₂, and hydrocarbons

EXPLOSION HAZARDS: None Expected.

FIRE FIGHTING PROCEDURES: As in any fire, wear self-contained breathing apparatus operated in pressure-demand mode, (NIOSH approved or equivalent) and full protective gear.

HAZARDOUS DECOMPOSITION PRODUCTS: If heated to decomposition, may emit toxic and/or irritating fumes.

6. ACCIDENTAL RELEASE MEASURES

SMALL SPILL: Pick up clean material and place into storage container for future use. Dispose of waste material in accordance with all local, state/provincial, and national requirements.

LARGE SPILL: Use same methods described for small spills.

7. HANDLING AND STORAGE

HANDLING: Use of proper hygiene practices in the workplace is recommended.

STORAGE: Keep container tightly closed and in a well-ventilated place. Keep container dry.

STORAGE TEMPERATURE: Store in a cool place below (120) F (49) C.

8. EXPOSURE CONTROLS / PERSONAL PROTECTION

EXPOSURE GUIDELINES

OSHA HAZARDOUS COMPONENTS (29 CFR1910.1200)							
		EXPOSURE LIMITS					
		OSHA PEL		ACGIH TLV		Supplier OEL	
Chemical Name		ppm	mg/m ³	ppm	mg/m ³	ppm	mg/m ³
Cellulose	TWA		15T 5R		10		
Titanium Dioxide	TWA		15 T		10	NL	NL
	STEL					NL	NL
Silica, Crystalline	TWA	250mpp	10		0.025	NL	NL
	STEL					NL	NL

SAFETY DATA SHEET

Date Prepared : 05/19/2015

MSDS No : 4005

ENGINEERING CONTROLS: A system of local and/or general exhaust should be adequate under normal conditions.

PERSONAL PROTECTIVE EQUIPMENT

EYES AND FACE: Where contact with this material is possible, eye protection is recommended. May cause skin or eye irritation after repeated or prolonged contact.

SKIN: Use of proper hygiene practices in the workplace is recommended.

RESPIRATORY: Material is not respirable under normal conditions.

WORK HYGIENIC PRACTICES: When handling this material use good hygienic practices, wash hands thoroughly after handling product.

9. PHYSICAL AND CHEMICAL PROPERTIES

PHYSICAL STATE: Soft solid

ODOR: Faint, characteristic odor.

COLOR: Grey

FLASH POINT AND METHOD: > (475°F)

FLAMMABLE LIMITS: Not Established

AUTOIGNITION TEMPERATURE: Not Established

SPECIFIC GRAVITY: ~ 1.64

10. STABILITY AND REACTIVITY

HAZARDOUS POLYMERIZATION: Will not occur.

STABILITY: Stable

HAZARDOUS DECOMPOSITION PRODUCTS: In case of fire, oxides of carbon, hydrocarbons, fumes, and smoke may be produced.

INCOMPATIBLE MATERIALS: Incompatible with strong solvents.

11. TOXICOLOGICAL INFORMATION

ACUTE

NOTES: None Expected.

CHRONIC: No known chronic effects.

CARCINOGENICITY

Chemical Name	NTP Status	IARC Status
Titanium Dioxide		2B
Silica, Crystalline	1	1

SAFETY DATA SHEET

Date Prepared : 05/19/2015

MSDS No : 4005

12. ECOLOGICAL INFORMATION

ENVIRONMENTAL DATA: No information available for this product.

GENERAL COMMENTS: Not Established

13. DISPOSAL CONSIDERATIONS

DISPOSAL METHOD: Dispose of this product in accordance with all applicable local, state and federal regulations.

14. TRANSPORT INFORMATION

DOT (DEPARTMENT OF TRANSPORTATION)

PROPER SHIPPING NAME: Not regulated for transport.

PRIMARY HAZARD CLASS/DIVISION: Not regulated

PLACARDS: None

15. REGULATORY INFORMATION

UNITED STATES

SARA TITLE III (SUPERFUND AMENDMENTS AND REAUTHORIZATION ACT)

FIRE: No **PRESSURE GENERATING:** No **REACTIVITY:** No **ACUTE:** No **CHRONIC:** No

TSCA (TOXIC SUBSTANCE CONTROL ACT)

Chemical Name	CAS
Carbon Black	1333-86-4
Cellulose	9004-34-6
Titanium Dioxide	13463-67-7
Silica, Crystalline	14808-60-7

CALIFORNIA PROPOSITION 65

Chemical Name	Wt.%	Listed
Carbon Black	~ 0.03	Cancer

16. OTHER INFORMATION

Date Prepared: 05/19/2015

SAFETY DATA SHEET

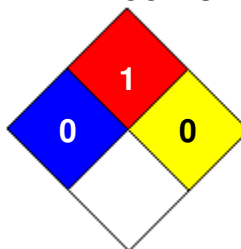
Date Prepared : 05/19/2015

MSDS No : MP4005

HMIS RATING

HEALTH	<input type="checkbox"/>	0
FLAMMABILITY		1
PHYSICAL HAZARD		0
PERSONAL PROTECTION		B

NFPA CODES



MANUFACTURER DISCLAIMER: It does not relate to the use in combination with any other material or in any process. The data in this MSDS relates only to the specific material designated herein.

This information is furnished without warranty, expressed or implied, except that it is accurate to the best knowledge of MultiSeal, Inc. The data on this sheet are related only to the specific material designated herein. MultiSeal, Inc. assumes no legal responsibility for use or reliance upon these data.