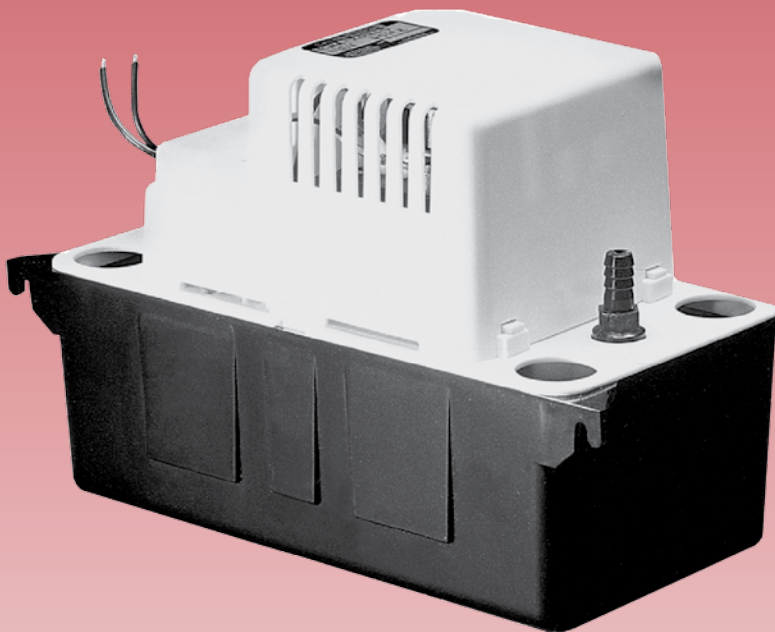


VCMA-15 Series



Applications

- Designed for automatic collection and removal of condensate from air conditioning, refrigeration and dehumidification equipment when gravity drainage is not possible or practical. Also suitable for high efficiency oil and gas-fired condensing furnace and condensing boiler equipment.

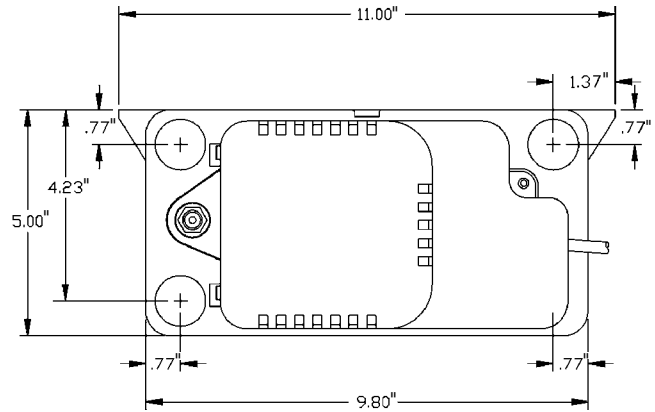
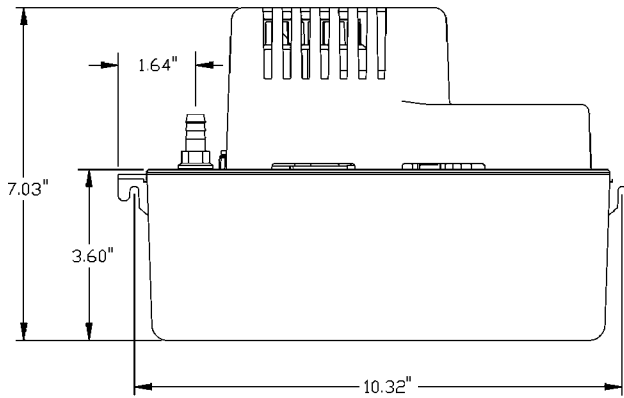
Features

- 1/2 gallon collection tank
- Vertical centrifugal pump design
- Automatic start and stop operation
- Some models equipped with float (solid polymer) activated switch for automatic high level water detection (safety overflow switch)
- For models with safety overflow switch: dual function NO and NC operation (set to NO from factory for equipment shut down connection)
- Models equipped with safety overflow switch include two 5" switch lead wires
- 3/8" O.D. barbed discharge adapter with built-in check valve
- Three 1-1/8" diameter inlet openings (two fitted with removable cap plug)
- Thermally protected, fan cooled motor
- Built-in wall mount tabs on tank
- Removable pump float locking tab for safety during transportation (remove at time of installation)
- Maximum water temperature: 140 °F
- 6 ft, 3-conductor cable with grounded 3-prong plug
- Some models include 20' x 3/8" I.D. vinyl discharge tubing

Specifications

- Motor — 1/50 hp
- Discharge — 3/8" OD barbed
- Housing/tank cover — ABS
- Motor cover — ABS
- Volute — ABS
- Tank — ABS
- Impeller — Glass filled polypropylene
- Check valve — Acetal

Engineering Data



Specifications

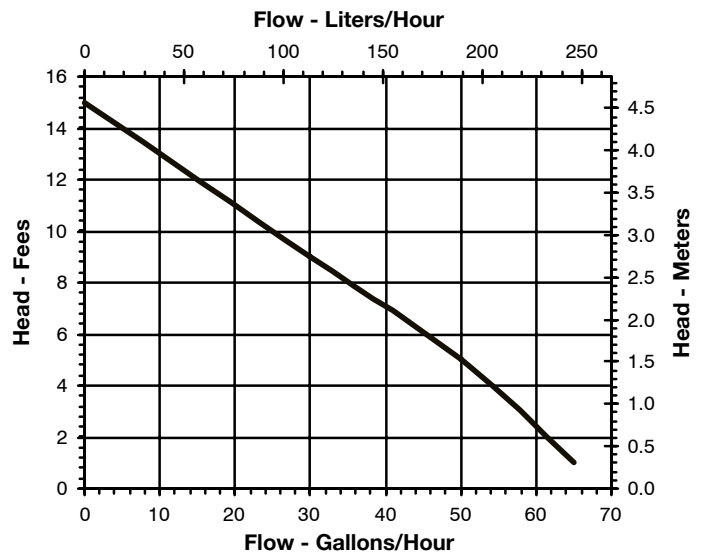
Item No.	Model No.	Discharge Size	HP	Volts	Hertz	Amps	Watts	Performance (GPH@Head)				Shutoff		Cord Length (ft)	Weight (lbs)
								1'	5'	10'	20'	Ft	PSI		
554401	VCMA-15UL	3/8" OD Barbed	1/50	115	60	1	60	65	50	25	0	15	6.5	6	4.40
554411	VCMA-15ULT	3/8" OD Barbed	1/50	115	60	1	60	65	50	25	0	15	6.5	6	5.80
554405	VCMA-15ULS	3/8" OD Barbed	1/50	115	60	1	60	65	50	25	0	15	6.5	6	4.40
554415	VCMA-15ULST	3/8" OD Barbed	1/50	115	60	1	60	65	50	25	0	15	6.5	6	5.80

NOTE: GPH is through check valve.

Replacement Parts

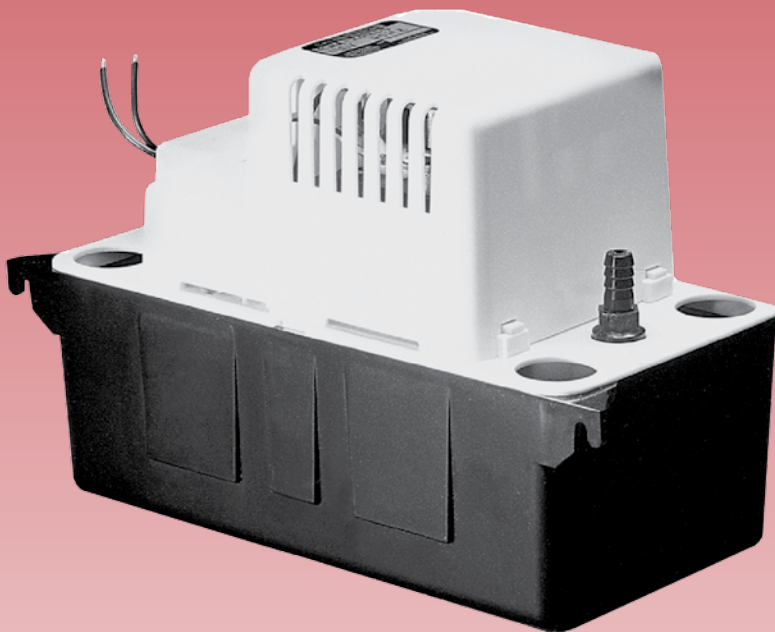
Item	Part Number
Tank	154401
Cover, motor	154421
Float arm	154452
Switch holder	154471
Switch	950337
Check valve	154715

Performance Data



P.O. Box 12010
 Oklahoma City, OK 73157-2010
 Phone: 1.800.701.7894
 Fax: 1.800.678.7867
 www.LittleGiantPump.com

VCMA-20 Series



Applications

- Designed for automatic collection and removal of condensate from air conditioning, refrigeration and dehumidification equipment when gravity drainage is not possible or practical. Also suitable for high efficiency oil and gas-fired condensing furnace and condensing boiler equipment

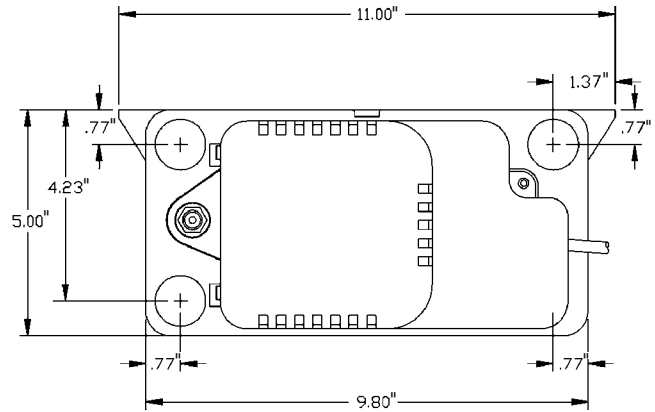
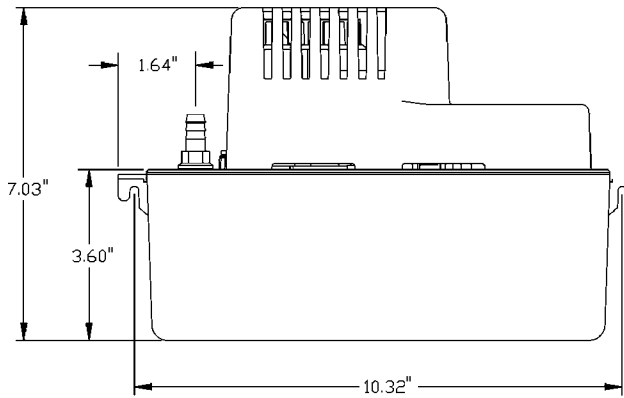
Features

- 1/2 gallon collection tank
- Vertical centrifugal pump design
- Automatic start and stop operation
- Some models equipped with float (solid polymer) activated switch for automatic high level water detection (safety overflow switch)
- For models with safety overflow switch: dual function NO and NC operation (set to NO from factory for equipment shut down connection)
- Models equipped with safety overflow switch include two 5" switch lead wires
- 3/8" O.D. barbed discharge adapter with built-in check valve
- Three 1-1/8" diameter inlet openings (two fitted with removable cap plug)
- Thermally protected, fan cooled motor
- Built-in wall mount tabs on tank
- Removable pump float locking tab for safety during transportation (remove at time of installation)
- Maximum water temperature: 140 °F
- 6 ft, 3-conductor cable with grounded 3-prong plug
- Some models include 20' x 3/8" I.D. vinyl discharge tubing

Construction

- Motor — 1/30 hp
- Discharge — 3/8" OD barbed
- Housing/tank cover — ABS
- Volute — ABS
- Tank — ABS
- Impeller — Glass filled polypropylene
- Check valve — Acetal

Engineering Data



Specifications

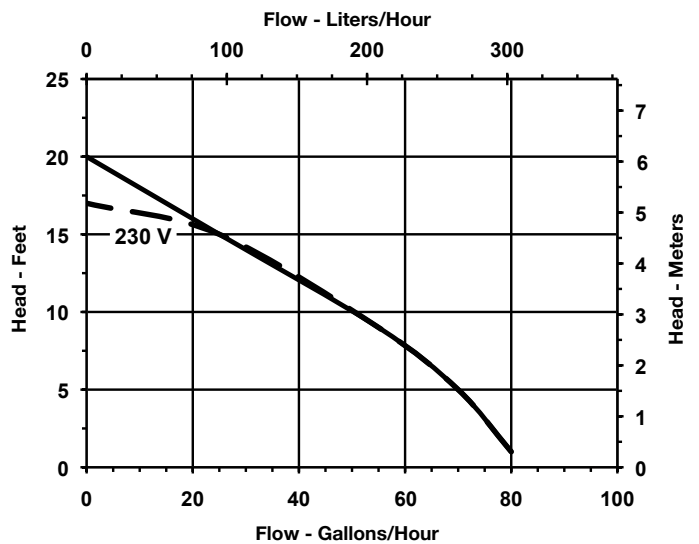
Item No.	Model No.	Discharge Size	HP	Volts	Hertz	Amps	Watts	Performance (GPH@Head)				Shutoff		Cord Length (ft)	Weight (lbs)
								1'	5'	10'	20'	Ft	PSI		
554421	VCMA-20UL	3/8" OD Barbed	1/30	115	60	1.5	93	80	70	48	0	20	8.7	6	5.00
554451	VCMA-20UL	3/8" OD Barbed	1/30	230	50/60	0.5	75	80	70	48	0	17	7.4	6	5.00
554431	VCMA-20ULT	3/8" OD Barbed	1/30	115	60	1.5	93	80	70	48	0	20	8.7	6	6.00
554425	VCMA-20ULS	3/8" OD Barbed	1/30	115	60	1.5	93	80	70	48	0	20	8.7	6	5.00
554455	VCMA-20ULS	3/8" OD Barbed	1/30	230	50/60	0.5	75	80	70	48	0	17	7.4	6	5.00
554435	VCMA-20ULST	3/8" OD Barbed	1/30	115	60	1.5	93	80	70	48	0	20	8.7	6	6.30
554461	VCMA-20ULST	3/8" OD Barbed	1/30	230	60	0.5	75	80	70	48	0	17	7.4	6	6.30

NOTE: GPH is through check valve.

Replacement Parts

Item	Part Number
Tank	154401
Cover, motor	154421
Float arm	154452
Switch holder	154471
Switch	950337

Performance Data



P.O. Box 12010
 Oklahoma City, OK 73157-2010
 Phone: 1.800.701.7894
 Fax: 1.800.678.7867
www.LittleGiantPump.com